



52CO CiTiceL[®]

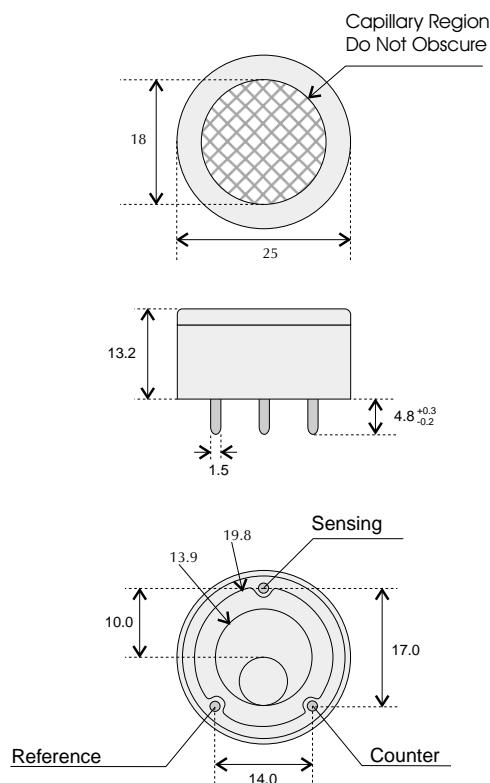
3-electrode carbon monoxide sensor

Performance Characteristics

Nominal Range	0-1000ppm
Maximum Overload	2000ppm
Expected Operating Life	Two years in air
Output Signal	20 ± 5 nA/ppm
Resolution	1ppm
Temperature Range	-5°C to +50°C
Pressure Range	Atmospheric ± 10%
Pressure Coefficient	0.020 ± 0.008 %signal/mBar
T₉₀ Response Time	<30 seconds
Relative Humidity Range	15 to 90% non-condensing
Typical Baseline Range	-5ppm to +10ppm equiv.
Maximum Zero Shift (+20°C to +40°C)	20ppm equivalent
Long Term Output Drift	<10% signal loss/year
Recommended Load Resistor	10Ω
Bias Voltage	Not required
Repeatability	1% of signal
Output Linearity	Linear

N.B. All performance data is based on conditions at 20°C, 50%RH, and 1013mBar

Outline Dimensions



Dimensions in mm
All dimensions ±0.1 mm unless otherwise stated
Do not solder to pin connections

Physical Characteristics

Weight	6g (approx.)
Position Sensitivity	None
Storage Life	Six months in CTL container
Recommended Storage Temperature	0-20°C
Warranty Period	12 months from date of despatch

Cross-sensitivity Data

CiTiceLs may exhibit a response to certain gases in a sample other than the target gas. The table below shows the typical response of 52CO sensors to a common cross-interfering gas. The figures are expressed as a percentage of the primary sensitivity (i.e. carbon monoxide = 100%).

<u>Gas</u>	<u>Response</u>
Hydrogen:	<60%



Every effort has been made to ensure the accuracy of this document at the time of printing. In accordance with the company's policy of continued product improvement City Technology Limited reserves the right to make product changes without notice. No liability is accepted for any consequential losses, injury or damage resulting from the use of this document or from any omissions or errors herein. The data is given for guidance only. It does not constitute a specification or an offer for sale. The products are always subject to a programme of improvement and testing which may result in some changes in the characteristics quoted. As the products may be used by the client in circumstances beyond the knowledge and control of City Technology Limited, we cannot give any warranty as to the relevance of these particulars to an application. It is the clients' responsibility to carry out the necessary tests to determine the usefulness of the products and to ensure their safety of operation in a particular application.

Performance characteristics on this data sheet outline the performance of newly supplied sensors. Output signal can drift below the lower limit over time.