

Product Specification of:

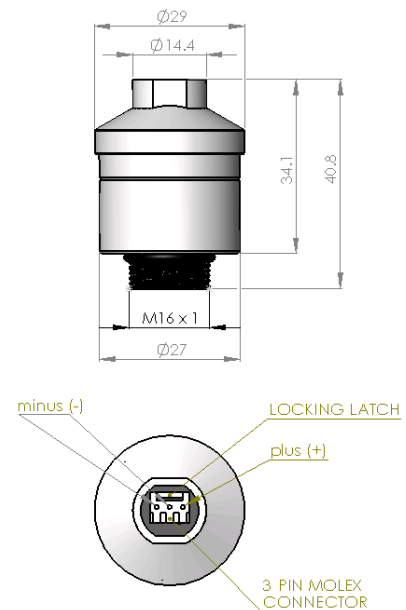
**O<sub>2</sub> - Scuba Diving Sensor****Type : D- 05**

Part. No.: 41 00 55

**Key Features:** galvanic fuel cell featuring an extra water repellent head space, fits to Uwaterc OxySpy, Mares EANx, Kiss Rebreather

All characteristics are based on conditions at 25°C, 50% RH and 1013 hPa

Electrical Connector:	3-pin Molex, gold plated
Measurement Range:	0 to 100 Vol. %
Nominal Sensor Life:	> 500 000 Vol.% h
Expected Operating Life:	< 3 years @ ambient air
Output Signal:	9 to 12 mV @ dry ambient air
Response Time $t_{90}$ :	< 5 s
Drift:	< 1% volume O <sub>2</sub> / month @ air
Operating Temperature:	0 to 45°C
Pressure Range:	600 to 1750 hPa
Linearity Error:	< 2% of full scale @ const. pressure, temperature
Zero Offset Voltage:	< 150 $\mu$ V in 100% N <sub>2</sub> , applied for 5 min
Influence of Humidity:	-0.03% rel. O <sub>2</sub> reading per % RH
Recommended Load Resistor:	$\geq$ 10 kOhm
Temperature Compensation:	NTC
Interferences:	none to He, H <sub>2</sub> and CO

Tolerance:  $\pm$  0.15 mm**Storage Conditions**

Temperature Range:	recommended: 5 to 30°C maximum: - 20 to 50°C
Ambient Pressure:	600 to 1750 hPa
Humidity:	up to 100% RH
Shelf Life:	< 6 months
Weight:	approximately 24 g
Material in contact with media:	PA, PPS, PTFE, stainless steel
Warranty Period:	12 months
Housing Color:	white

This data sheet is subject to change without prior notice!

[D-05 Rev01-05.doc]

page 1/1

**IT Dr. Gambert GmbH, Hinter dem Chor 21, 23966 Wismar, Germany**Tel.: +49 (0) 3841 22 00 50, Fax: +49 (0) 3841 22 00 522, [sales@it-wismar.de](mailto:sales@it-wismar.de), [www.it-wismar.de](http://www.it-wismar.de)